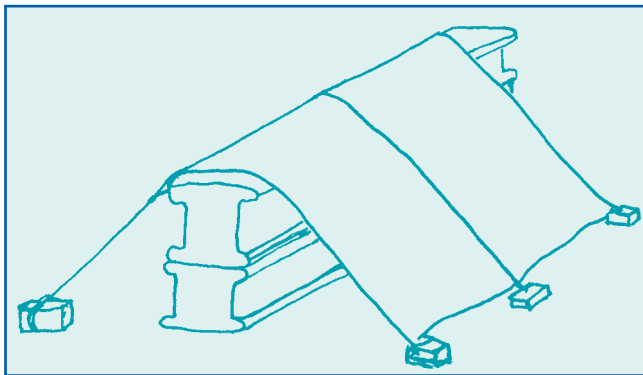


Resource material: Unit 4

### ACTIVITY

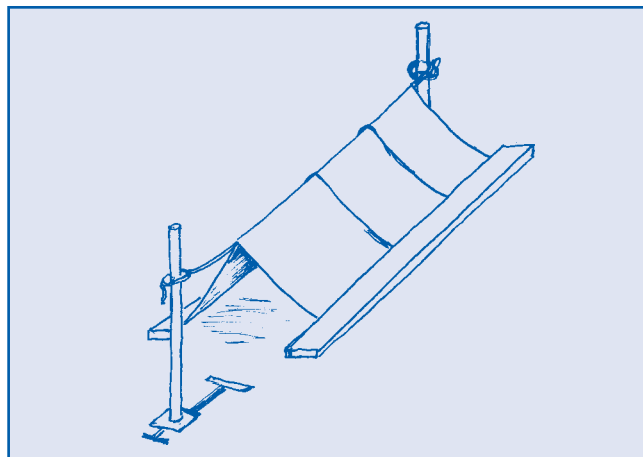
- Divide the class into three groups.
- Each group is given a number of items with which to build a shelter / tent.
- Establish a time limit.
- *Review: Is the shelter safe / effective? Are there any ways in which it could be improved?*



### SHELTER 1

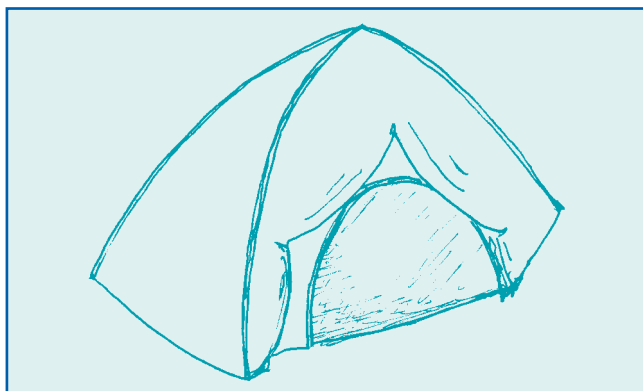
Resources:  
4 refuse sacks (cut open)  
6 light weights  
2 benches  
A number of lengths of rope.

\* *Don't allow weights to be placed on top of the bench.*



### SHELTER 2

Resources:  
3 bivy bags  
2 badminton stands  
2 planks  
1 length of rope.



### SHELTER 3

Resources:  
1 tent

- *Use a free-standing tent if possible, e.g. dome tent*